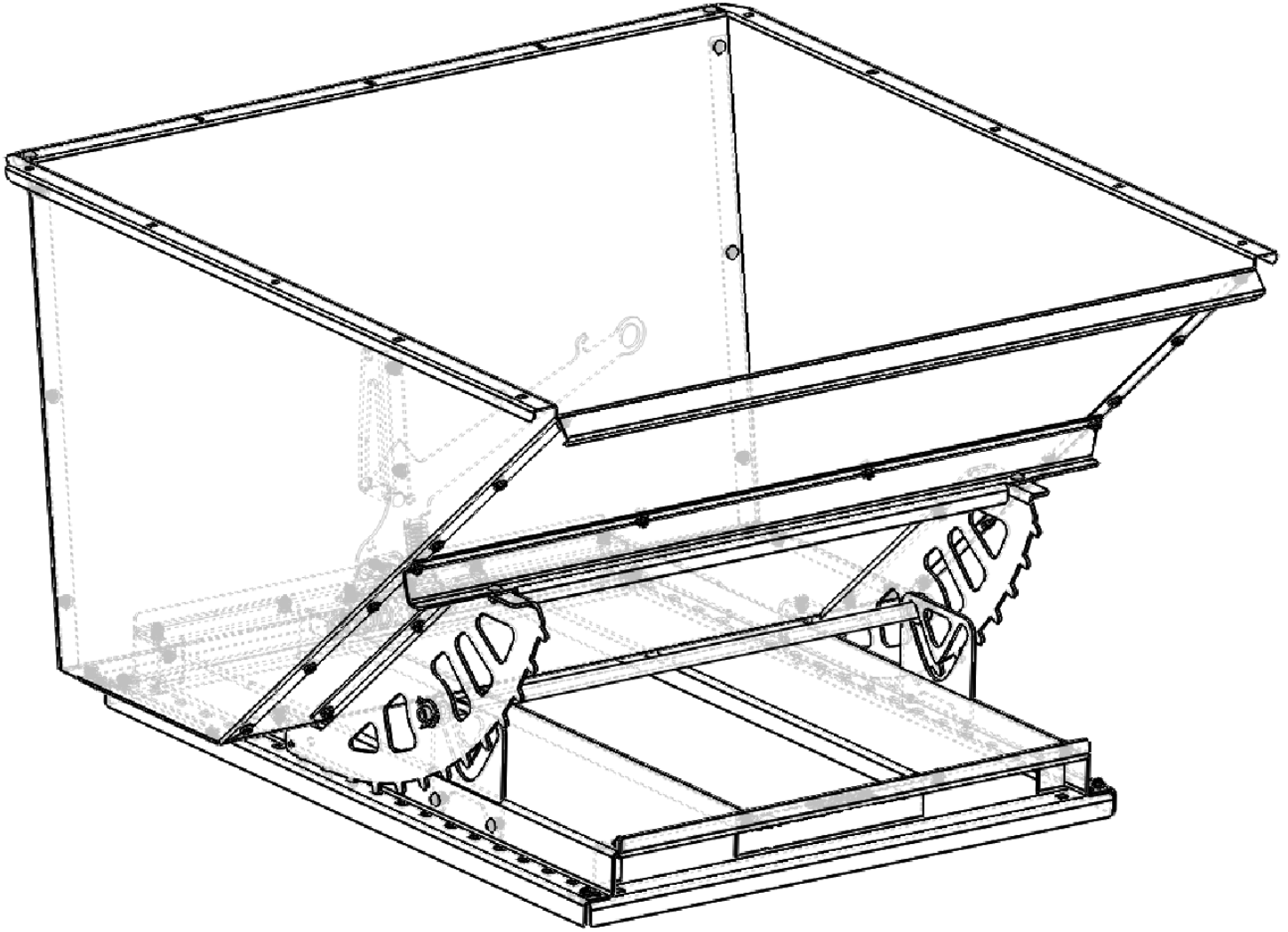


## Self-Dumping Hopper Assembly Instructions.

The bolts required to assembly this product come in 3 uniquely marked bags. Each bolt hole is cut with 1 of these 3 unique shapes. Use these shapes as a simple guide to match the bolts to their correct location. The bolt head must always touch the face of the shaped cut-out. It takes 2 people about 1 hour to assemble. Ensure proper safety equipment is used.



**.375"-16 x 1.00" Hex Bolt—1pcs**



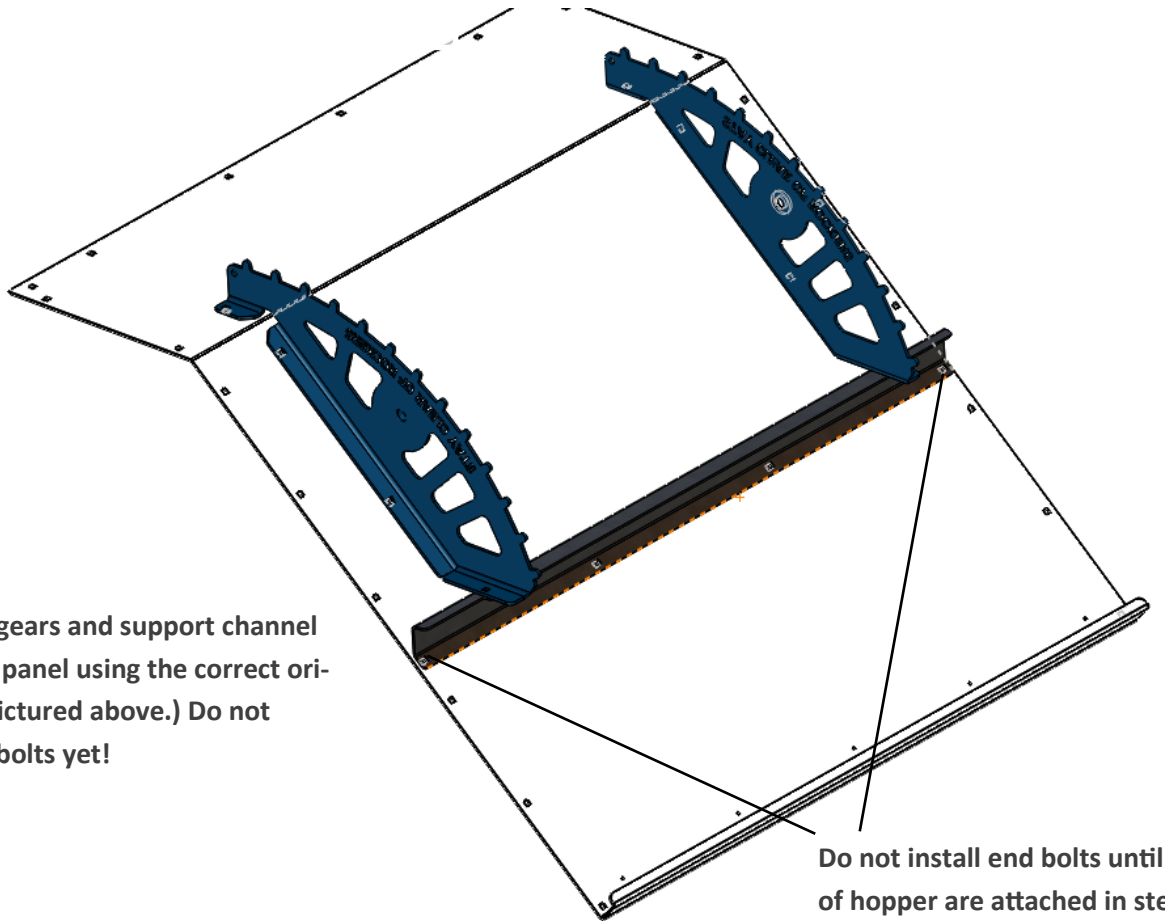
**.313"-18 x .750" Carriage Bolt**



**.313"-18 x .500" Carriage Bolt**

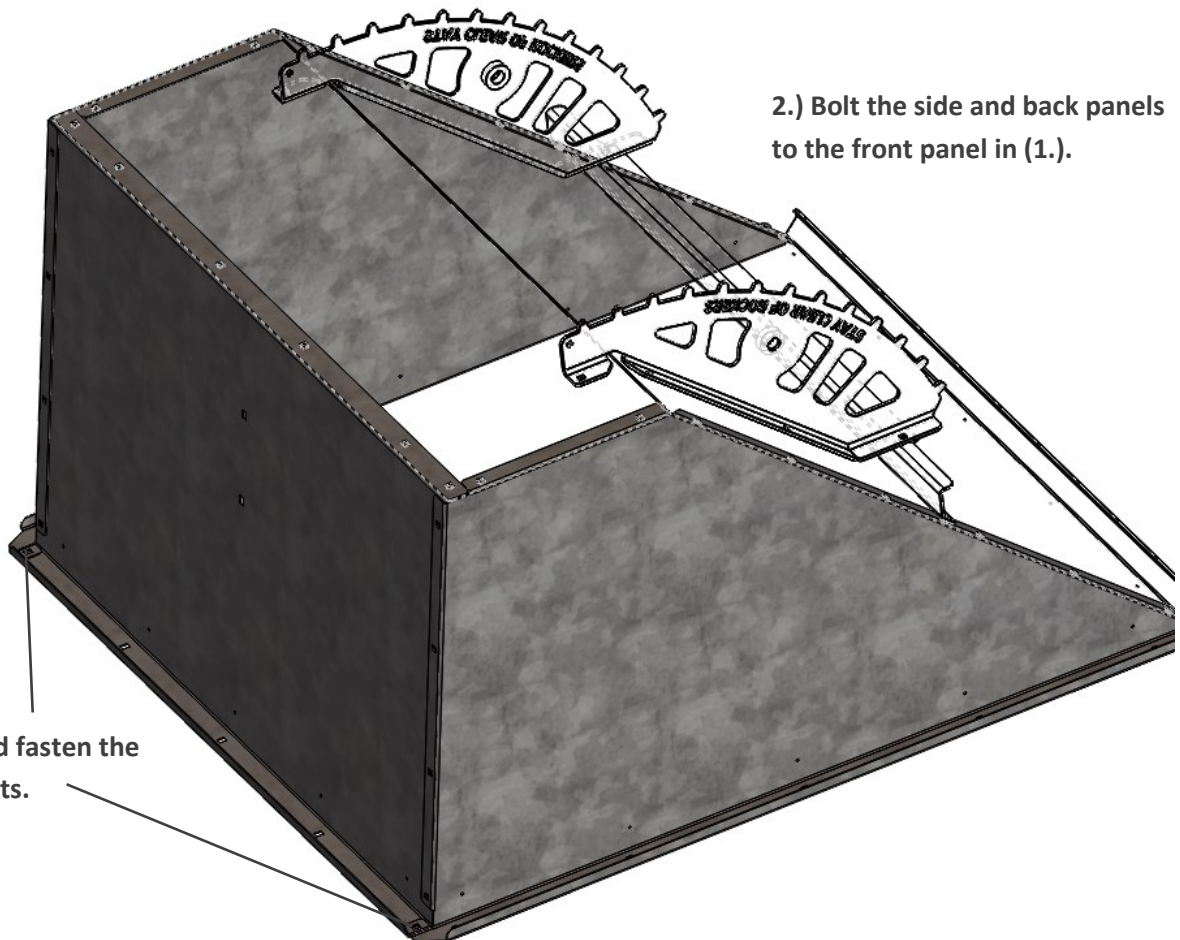
### Tools required for assembly:

- 1/4" Punch (For aligning holes.)
- Impact wrench with 1/2" socket (Bolt tightening.)
- 1/2" Wrench
- 2 x 9/16" Wrench
- Pliers



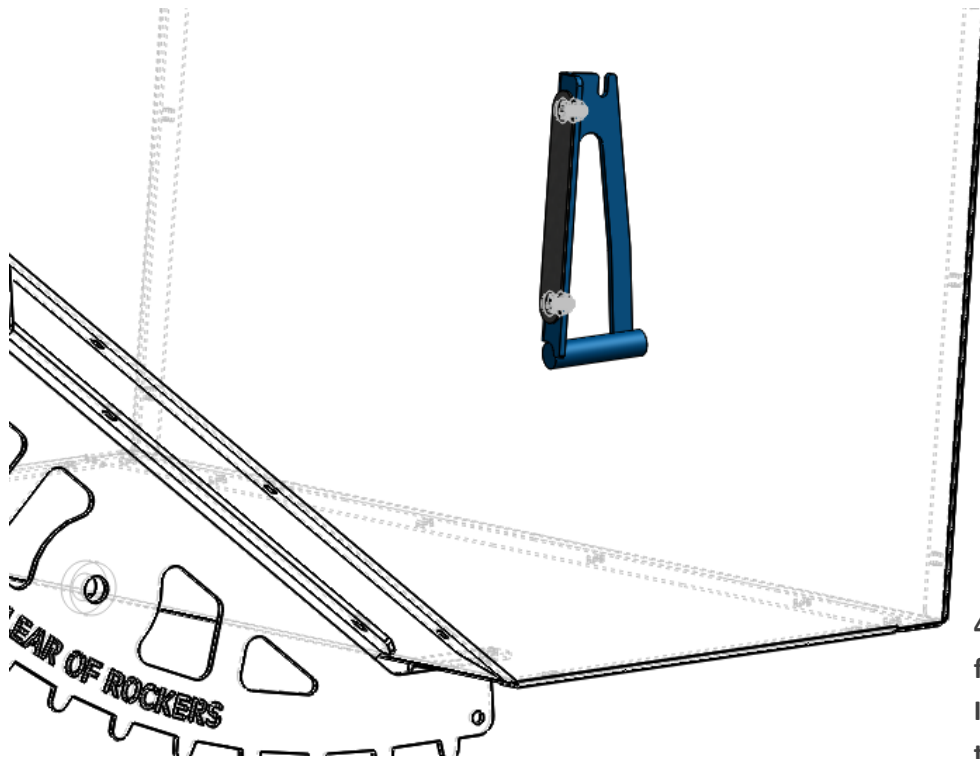
1.) Bolt the gears and support channel to the front panel using the correct orientation. (Pictured above.) Do not tighten the bolts yet!

Do not install end bolts until sides of hopper are attached in step (2). (Flange from side goes between front panel and support channel).



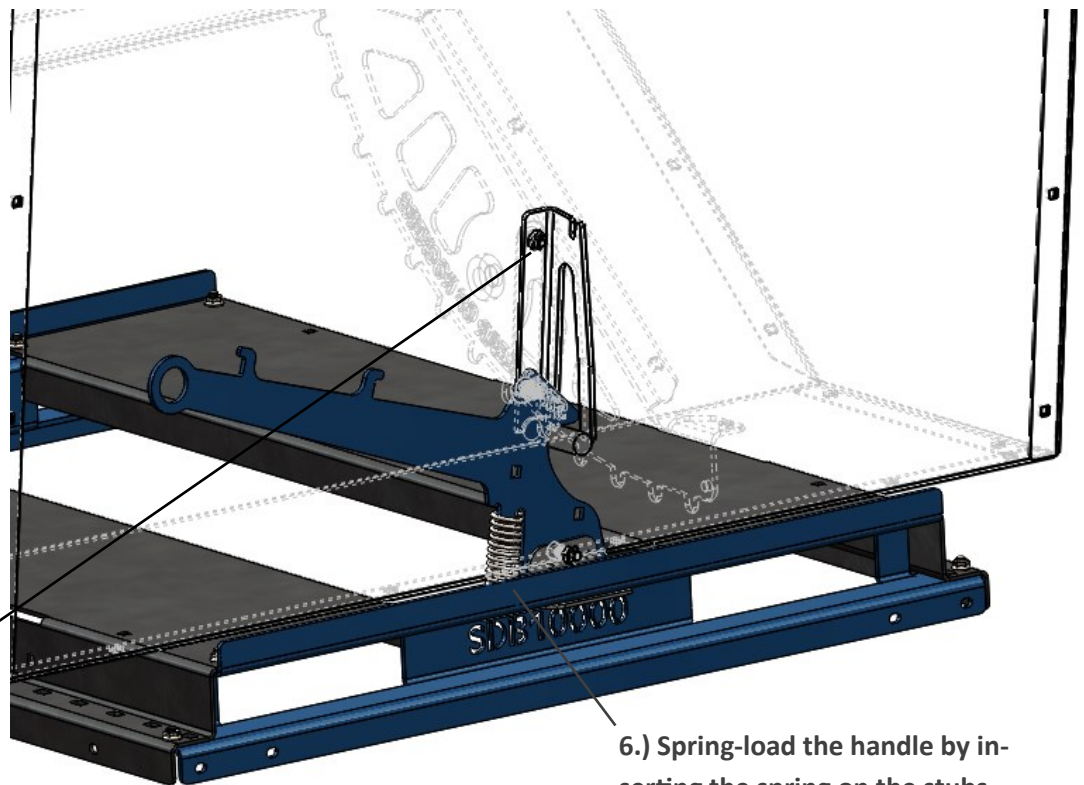
2.) Bolt the side and back panels to the front panel in (1.).

3.) Place and fasten the 2 corner bolts.



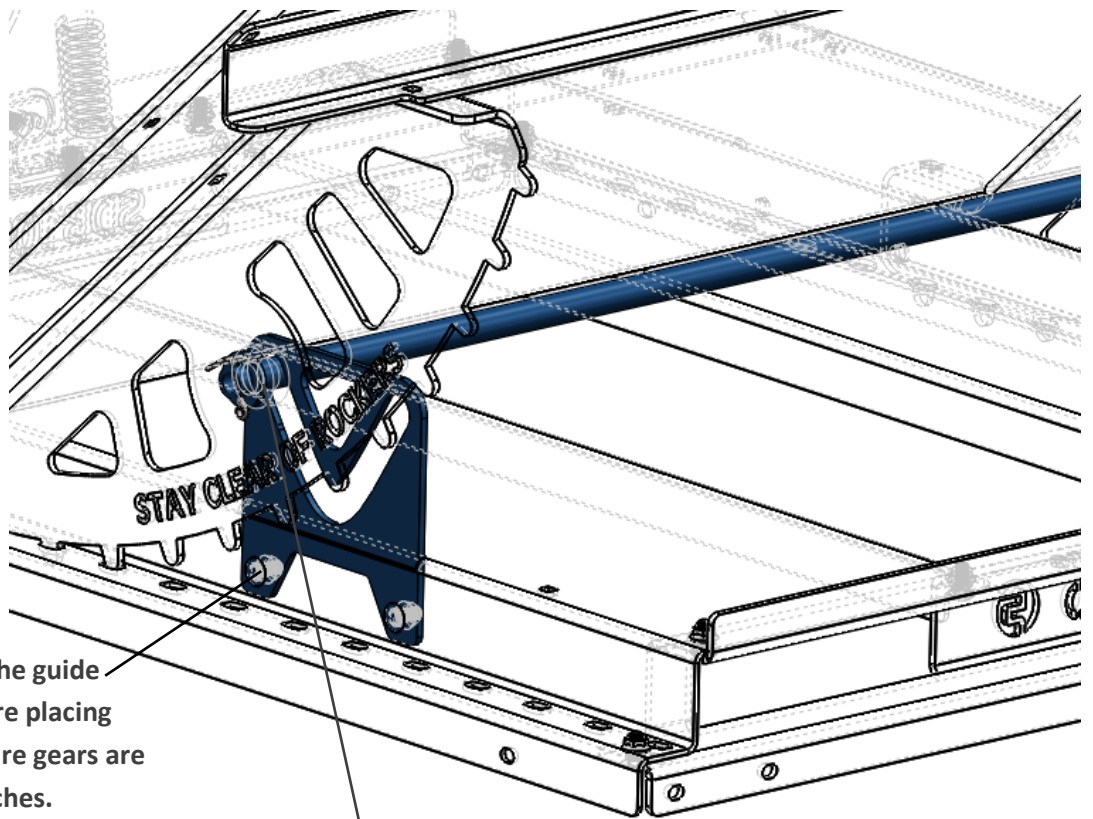
4.) Bolt the handle latch and reinforcement plate to the back panel. Insure reinforcement plate is on the inside of the hopper. Do not tighten the bolts yet.

5.) Place hopper on the base and bolt the handle in the correct orientation between the plates. (As shown below.) Tighten the bolt so that the handle can't move side to side and moves up and down smoothly.



6.) Spring-load the handle by inserting the spring on the stubs. (Shown above.)

7.) Tighten the handle latch. Adjust it so that the hopper is held securely to the base after locking the hopper.



8.) Attach and tighten the guide plates to the base before placing hopper onto base. Ensure gears are placed into correct notches.

9.) To secure the guide pipe, insert the blue washer then insert the split pin at the end of the guide pipe. (Shown above.) After inserting pin tighten all other bolts previously left loose.